

Technical data sheet

Product features



Tilting brat pan gas

Model	SAP Code	00019404
--------------	-----------------	----------



- Bottom material: Stainless steel - suitable for cooking, easy maintenance
- Bottom thickness: 12.00
- Basin volume [l]: 50
- Usable volume [l]: 50
- Ignition: Piezo + Eternal Flame
- Tilting: Manual
- Filling: Mechanical cock
- Type of pan: Tilting
- Basin shape: Practically shaped bathtub spout to minimize spillage

SAP Code	00019404	Type of gas	Natural gas, propane butane
Net Width [mm]	800	Bottom material	Stainless steel - suitable for cooking, easy maintenance
Net Depth [mm]	730	Basin volume [l]	50
Net Height [mm]	900	Usable volume [l]	50
Net Weight [kg]	147.00	Tilting	Manual
Power gas [kW]	12.000		

Technical data sheet

Technical drawing

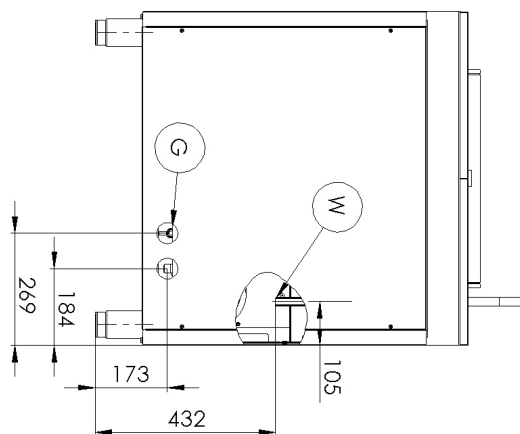
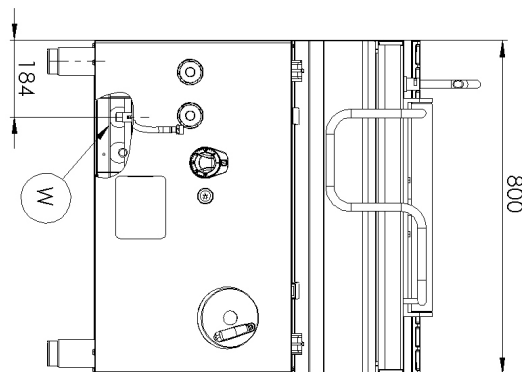
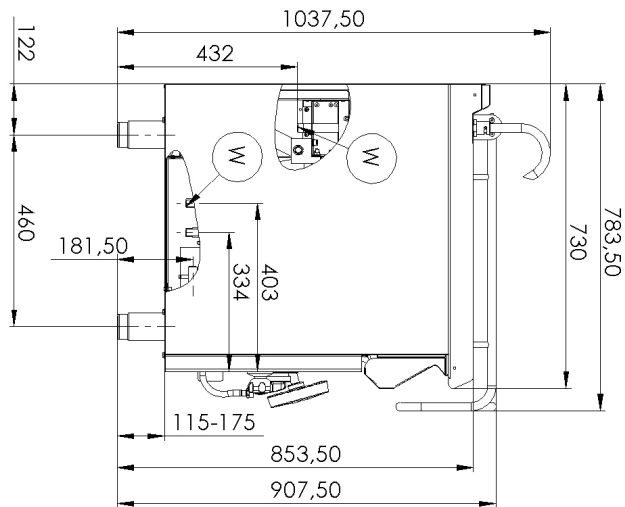


Tilting brat pan gas

Model

SAP Code

00019404



Technical data sheet

Technical parameters



Tilting brat pan gas

Model

SAP Code

00019404

1. SAP Code:

00019404

2. Net Width [mm]:

800

3. Net Depth [mm]:

730

4. Net Height [mm]:

900

5. Net Weight [kg]:

147.00

6. Gross Width [mm]:

840

7. Gross depth [mm]:

800

8. Gross Height [mm]:

1065

9. Gross Weight [kg]:

160.00

10. Device type:

Gas unit

11. Construction type of device:

Stationary

12. Power gas [kW]:

12.000

13. Ignition:

Piezo + Eternal Flame

14. Type of gas:

Natural gas, propane butane

15. Device color:

Stainless steel

16. Material:

AISI 304 top plate and cladding

17. Worktop type:

Molded - comfortable cleaning maintenance

18. Worktop material:

AISI 304

19. Worktop Thickness [mm]:

1.50

20. Basin volume [l]:

50

21. Device capacity [l]:

50.00

22. Maximum device temperature [°C]:

300

23. Minimum device temperature [°C]:

50

24. Safety thermocouple:

Yes

25. Adjustable feet:

Yes

26. Tilting:

Manual

27. Bottom thickness:

12.00

28. Bottom material:

Stainless steel - suitable for cooking, easy maintenance

Technical data sheet

Technical parameters



Tilting brat pan gas

Model

SAP Code

00019404

29. Type of pan:

Tilting

32. Basin shape:

Practically shaped bathtub spout to minimize spillage

30. Usable volume [l]:

50

33. Overflow:

Yes

31. Filling:

Mechanical cock